

# PARTS LIST

\*\*\*

## EVINRUDE FASTWIN 15

MODELS 15016 AND 15017

### INSTRUCTIONS ON HOW TO ORDER

For their convenience, as well as ours, we ask our customers to carefully follow our instructions in ordering parts.

We also request that owners order their parts from our dealer or nearest service station or distributor.

ORDER BY PART NUMBER GIVING NAME OF PART ALSO.

ALWAYS GIVE THE SERIAL NUMBER OF THE MOTOR FOR WHICH PART OR PARTS ARE REQUIRED.

This is very important, and is necessary to intelligently fill your order. If you cannot give the number of the motor, state when and from whom the motor was purchased.

TELEGRAMS AND HOW TO USE "EVINRUDE CODE."

Telegram rates are based on fifteen words or less, for immediate delivery. Day letter or night letter rates are considerably cheaper. Detailed information may be found on rear of any telegram blank.

Use the following code only on messages of more than fifteen words. Each five code letters are charged

for as a word. English words and code words may be used in the same message, but code letters cannot be combined with English words.

A - 1	G - 7	L - Air Parcel Post
B - 2	H - 8	M - Freight - Truck
C - 3	I - 9	V - Air Express
D - 4	J - 0	X - Express
E - 5	K - Each	Y - Parcel Post
F - 6	P - Number	Z - Freight - Railway

Following is an example of a telegram not coded and the same reduced to code:

(NOT CODED - 22 WORDS.)

Parcel Post Two Number One Three Naught Naught Four Four Propeller Nut Twelve Number One Three Naught Naught Five Three Shear Pins.

(CODED - 8 WORDS.)

YBPAC JJDD Propeller Nut ABPAC JJEC Shear Pins.

Do not use this code in cable messages.

### ROUTING • TERMS • RETURNS

SHIPPING INSTRUCTIONS.

Unless specific instructions accompany the order, we will use our own judgement on how to ship.

TERMS: CASH WITH ORDER OR C.O.D.

In ordering parts, to avoid C.O.D. shipments and extra charges, all orders should be accompanied by cash. Save time and money by remitting sufficient cash to cover cost of parts and Transportation Charges. Stamps are accepted in payment of all orders not over \$1.00. The right to hold all

orders unaccompanied by cash is reserved by Evinrude Motors, Milwaukee.

A minimum charge of \$0.50 net will be made on all orders amounting to less than this amount. We reserve the right to furnish additional parts to make up the difference.

INSTRUCTIONS ON RETURNING PARTS.

Parts can only be returned in accordance with terms outlined under the Service Policy laid down in the instruction manual.

\*\*\*

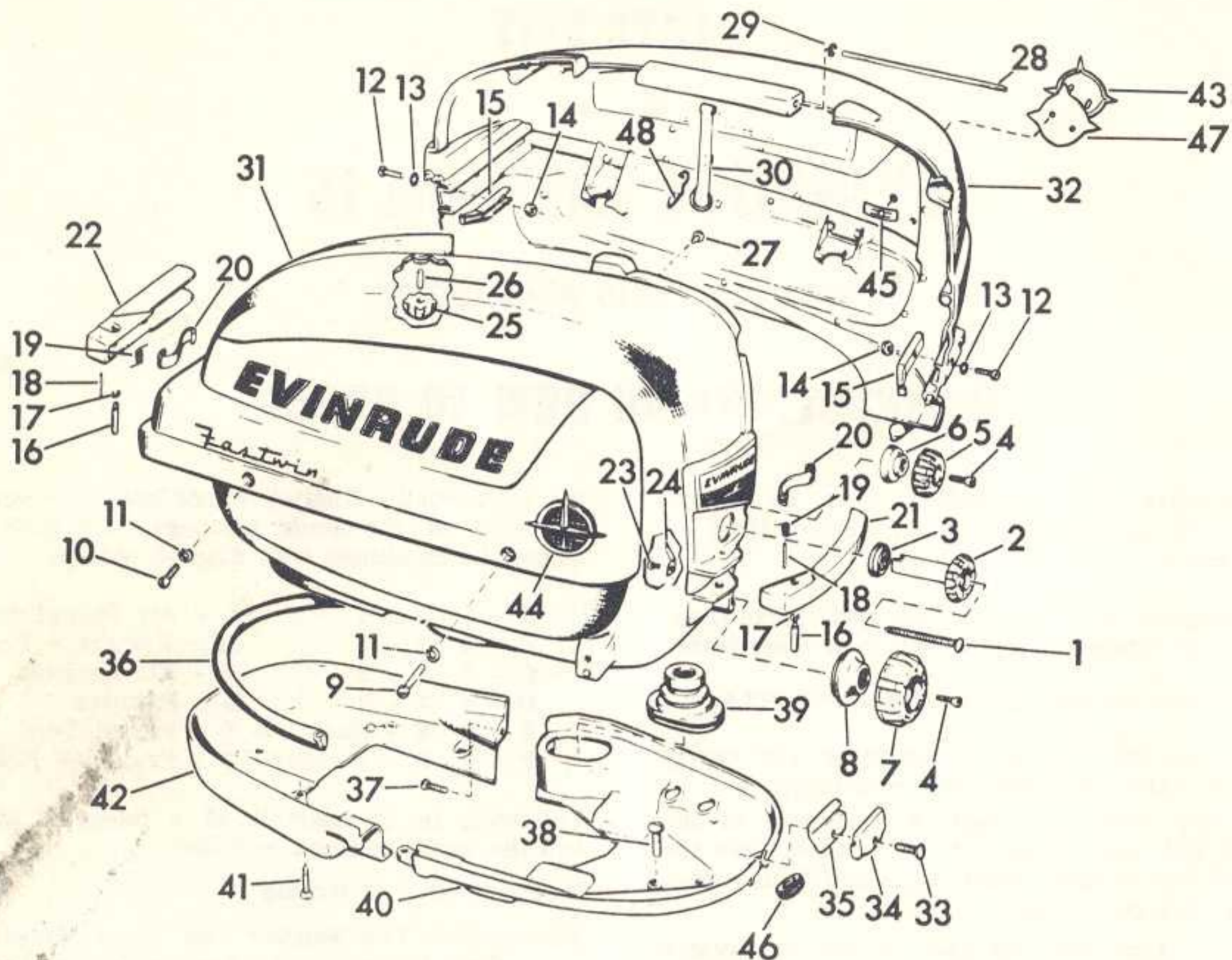
ALL PRICES SUBJECT TO CHANGE WITHOUT NOTICE

**EVINRUDE MOTORS, Milwaukee, Wis., U.S.A.**

SECOND EDITION

CABLE ADDRESS "EVINRUDE"

## FASTWIN MOTOR COVER

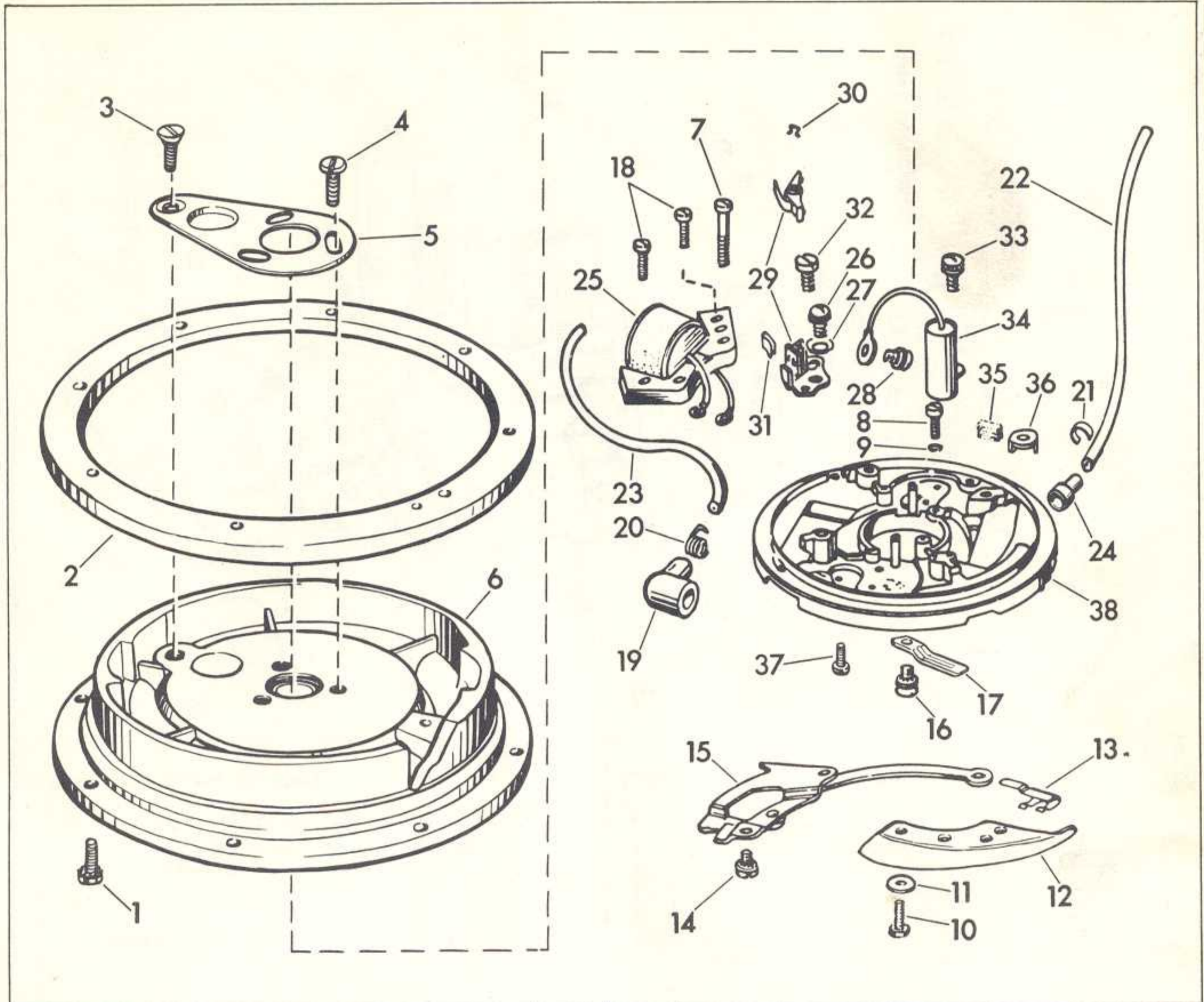


REF. NO.	PART NO.	NAME OF PART	QTY.	REF. NO.	PART NO.	NAME OF PART	QTY.
1	302761	Choke knob screw . . . . .	1	28	277615	Motor cover hinge pin assy . . . . .	1
2	203603	Choke control knob . . . . .	1	29	203949	Motor cover hinge pin ret. ring . . . . .	1
3	203308	Motor cover to choke knob grommet . . . . .	1	30	303923	Motor cover strap . . . . .	1
4	551517	High and low speed control knob screw . . . . .	2	31	277467	Motor cover assembly - Starboard . . . . .	1
5	203601	Low speed control knob . . . . .	1	32	277466	Motor cover assembly - Port . . . . .	1
6	203617	Low speed cover grommet . . . . .	1	33	304022	Seal to lower motor cover clamp screw . . . . .	1
7	203600	High speed control knob . . . . .	1	34	304021	Outer seal to lower motor cover clamp . . . . .	1
8	203616	High speed cover grommet . . . . .	1	35	304020	Inner seal to lower motor cover clamp . . . . .	1
9	203300	Cover mounting screw, front . . . . .	1	36	304014	Lower motor cover seal . . . . .	1
10	203301	Cover mounting screw, rear . . . . .	1	37	304013	Lower motor cover screw, front to rear . . . . .	1
11	19X124	Cover mounting screw lock washer . . . . .	2	38	304015	Lower front motor cover to exhaust tube screw . . . . .	1
12	39X176	Latch hook to motor cover screw . . . . .	2	39	304019	Control shaft to lower motor cover grommet . . . . .	1
13	303480	Latch hook screw lock washer . . . . .	2	40	376886	Lower motor cover assy, front . . . . .	1
14	301472	Latch hook screw nut . . . . .	2	41	304012	Lower rear motor cover to exhaust tube screw . . . . .	4
15	203420	Motor cover latch hook . . . . .	2	42	304005	Lower motor cover, rear . . . . .	1
16	203468	Front and rear cover latch hinge pin . . . . .	2	43	203784	Motor cover medallion - Port . . . . .	1
17	203470	Hinge pin retaining ring . . . . .	2	44	203785	Motor cover medallion - Starboard . . . . .	1
18	203423	Pivot pin . . . . .	2	45	203786	Medallion to motor cover nut . . . . .	4
19	203422	Cover latch bale spring . . . . .	2	46	304292	Lower cover grommet, front . . . . .	1
20	203421	Cover latch bale . . . . .	2	*	304017	Motor cover grommet (where used) . . . . .	1
21	277232	Cover latch and bale assy, front . . . . .	1	47	203971	Motor cover medallion gasket . . . . .	2
22	277233	Cover latch and bale assy, rear . . . . .	1	48	203843	Motor cover strap clip . . . . .	1
23	21X283	Latch retainer spring screw . . . . .	2	*		Set of decals . . . . .	1
24	203690	Latch retainer spring, front . . . . .	1				
*	203464	Latch retainer spring, rear . . . . .	1				
25	203455	Cover to starter housing bumper . . . . .	1				
26	203897	Cover to starter hsg. bumper pin . . . . .	1				
27	203290	Motor cover bumper . . . . .	4				

\*Not Shown

ORDER YOUR PARTS FROM YOUR DISTRICT SERVICE STATION

# FASTWIN MAGNETO

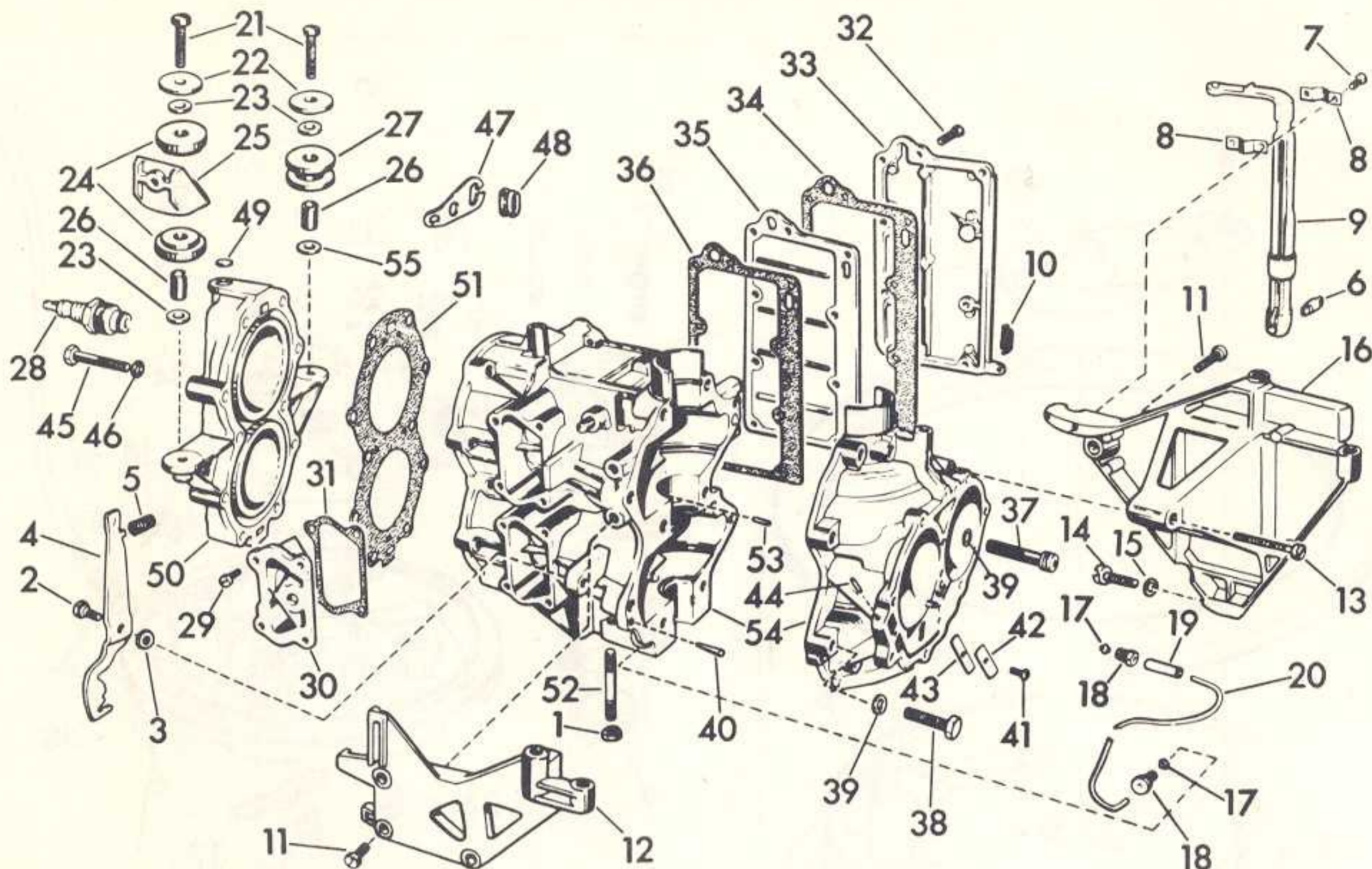


REF. NO.	PART NO.	NAME OF PART	QTY.	REF. NO.	PART NO.	NAME OF PART	QTY.
*	580221	Flywheel cover and ring assembly	1	20	510231	Spark plug lead spring terminal .	2
*	580207	Armature plate assembly . . . . .	1	21	120783	Marker . . . . .	1
1	303698	Ring to flywheel screw . . . . .	8	*	580186	H. T. lead assembly, upper . . . . .	1
2	510294	Flywheel ring . . . . .	1	22	510239	High tension lead only, upper . . . . .	1
3	510293	Inspection hole cover screw . . . . .	1	*	580146	H. T. lead assembly, lower . . . . .	1
4	203751	Inspection hole cover screw . . . . .	3	23	510210	High tension lead only, lower . . . . .	1
5	510292	Inspection hole cover . . . . .	1	24	510289	Coil to H. T. lead grommet . . . . .	2
6	580216	Flywheel and cover assembly . . . . .	1	25	580118	Coil and lamination assembly . . . . .	2
7	510191	Armature plate mounting screw . . . . .	2	26	510278	Breaker mounting screw . . . . .	2
8	510192	Armature plate mounting screw . . . . .	2	27	510208	Bow washer . . . . .	2
9	3X28	Armature plate mounting screw lockwasher . . . . .	2	28	510194	Breaker terminal screw . . . . .	2
10	304441	Throttle cam screw . . . . .	2	29	580148	Breaker assembly . . . . .	2
11	300154	Throttle cam screw washer . . . . .	2	30	71A1052	Spring clip . . . . .	2
12	203277	Throttle control cam . . . . .	1	31	510204	Breaker spring clip . . . . .	2
13	303146	Arm. plate link spring clip . . . . .	1	32	510185	Breaker eccentric screw . . . . .	2
14	510193	Shifter lock stop screw . . . . .	2	33	510193	Condenser mounting screw . . . . .	2
15	376313	Link and stop assembly . . . . .	1	34	510173	Condenser . . . . .	2
16	510193	High tension lead clip mtg. screw . . . . .	1	35	510189	Oiler wick . . . . .	1
17	510190	High tension lead clamp . . . . .	1	36	510188	Oiler clip . . . . .	1
18	510195	Lamination mounting screw . . . . .	4	37	510278	Hole plug screw . . . . .	2
19	510232	Spark plug rubber cover . . . . .	2	38	580210	Armature plate and post . . . . .	2
				*	43A128	Feeler gauge . . . . .	1

\*Not Shown

ORDER YOUR PARTS FROM YOUR DISTRICT SERVICE STATION

## FASTWIN CRANKCASE AND CYLINDER



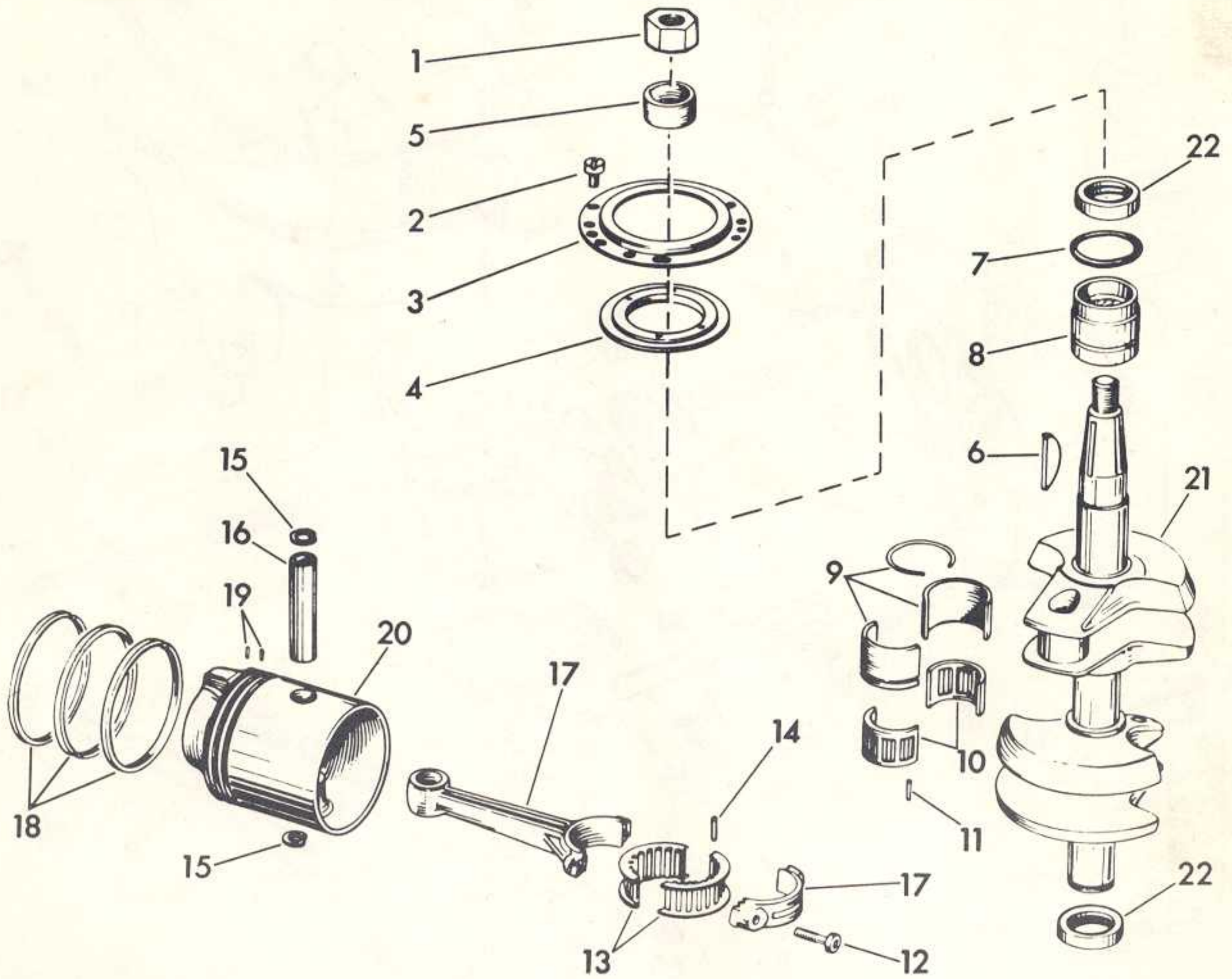
REF. NO.	PART NO.	NAME OF PART	QTY.	REF. NO.	PART NO.	NAME OF PART	QTY.
1	7X46	Flange to cylinder stud nut . . . . .	3	27	203280	Cover mtg. grommet - Port . . . . .	2
2	302592	Shifter lock to cylinder screw . . . . .	1	† 28	200322	Spark plug, Champion J6-J . . . . .	2
3	304051	Shifter lockwasher . . . . .	1	† 28	376290	Spark plug, Auto-Lite A3X . . . . .	2
4	203596	Shifter lock . . . . .	1	29	43X259	Bypass cover screw . . . . .	8
5	302587	Shifter lock spring . . . . .	1	30	203253	Bypass cover . . . . .	2
6	304155	Arm. plate control lever pin . . . . .	1	31	203259	Bypass cover to cylinder gasket . . . . .	2
7	303737	Control lever brg. clamp screw . . . . .	2	32	43X110	Exhaust cover screw . . . . .	9
8	303109	Control lever bearing clamp . . . . .	2	33	203724	Exhaust cover . . . . .	1
9	203805	Armature plate control lever . . . . .	1	34	203257	Exhaust cover to baffle plate gasket . . . . .	1
10	302827	High tension lead spring . . . . .	1	35	203258	Exhaust cover baffle plate . . . . .	1
11	21X124	Starter and silencer mounting bracket screw . . . . .	4	36	203257	Baffle plate to cylinder gasket . . . . .	1
12	203721	Starter and silencer mounting bracket - Starboard . . . . .	1	37	203249	Crankcase to cylinder screw, center . . . . .	2
13	130618	Starter housing bracket to crankcase screw . . . . .	1	38	25X242	Cylinder to crankcase screw . . . . .	8
14	21X167	Port starter and silencer mounting bracket screw . . . . .	1	39	15X212	Crankcase to cyl. screw washer . . . . .	6
15	13X585	Starter and silencer mounting bracket screw washer . . . . .	1	40	300402	Taper pin . . . . .	2
16	203722	Starter and silencer mounting bracket - Port . . . . .	1	41	19X191	Oil drain leaf valve screw . . . . .	1
17	11X61	Oil line gland . . . . .	2	42	203248	Leaf valve oil drain plate . . . . .	1
18	41A105	Oil line packing nut . . . . .	2	43	203235	Crankcase oil drain leaf valve . . . . .	1
19	302811	Oil line spacer . . . . .	1	44	301732	Oil passage plug . . . . .	1
20	203723	Oil line . . . . .	1	45	21X486	Cylinder head screw . . . . .	10
21	41X178	Cover mounting bracket screw . . . . .	4	46	15X212	Cylinder head screw washer . . . . .	9
22	302407	Cover mounting washer, large . . . . .	4	47	300455	Ignition lead anchor . . . . .	1
23	43X302	Cover mounting washer, small . . . . .	6	48	300454	Ignition lead grommet . . . . .	1
24	302405	Cover mounting bracket grommet - Starboard . . . . .	4	49	202310	Expansion plug, 1/2 in. . . . .	2
25	302404	Cover mtg. bracket - Starboard . . . . .	2	50	277211	Cylinder head and core plug assy. . . . .	1
26	302406	Cover mounting spacer . . . . .	4	51	203247	Cylinder head gasket . . . . .	1
				52	304517	Flange to cylinder stud . . . . .	3
				53	302037	Upper and center brg. dowel . . . . .	2
				54	277450	Cylinder and crankcase . . . . .	1
				55	203622	Cover mtg. washer, lower - Port . . . . .	2
				*	277397	Set of gaskets . . . . .	1

†We recommend either Champion or Auto-Lite spark plug.

\*Not Shown

ORDER YOUR PARTS FROM YOUR DISTRICT SERVICE STATION

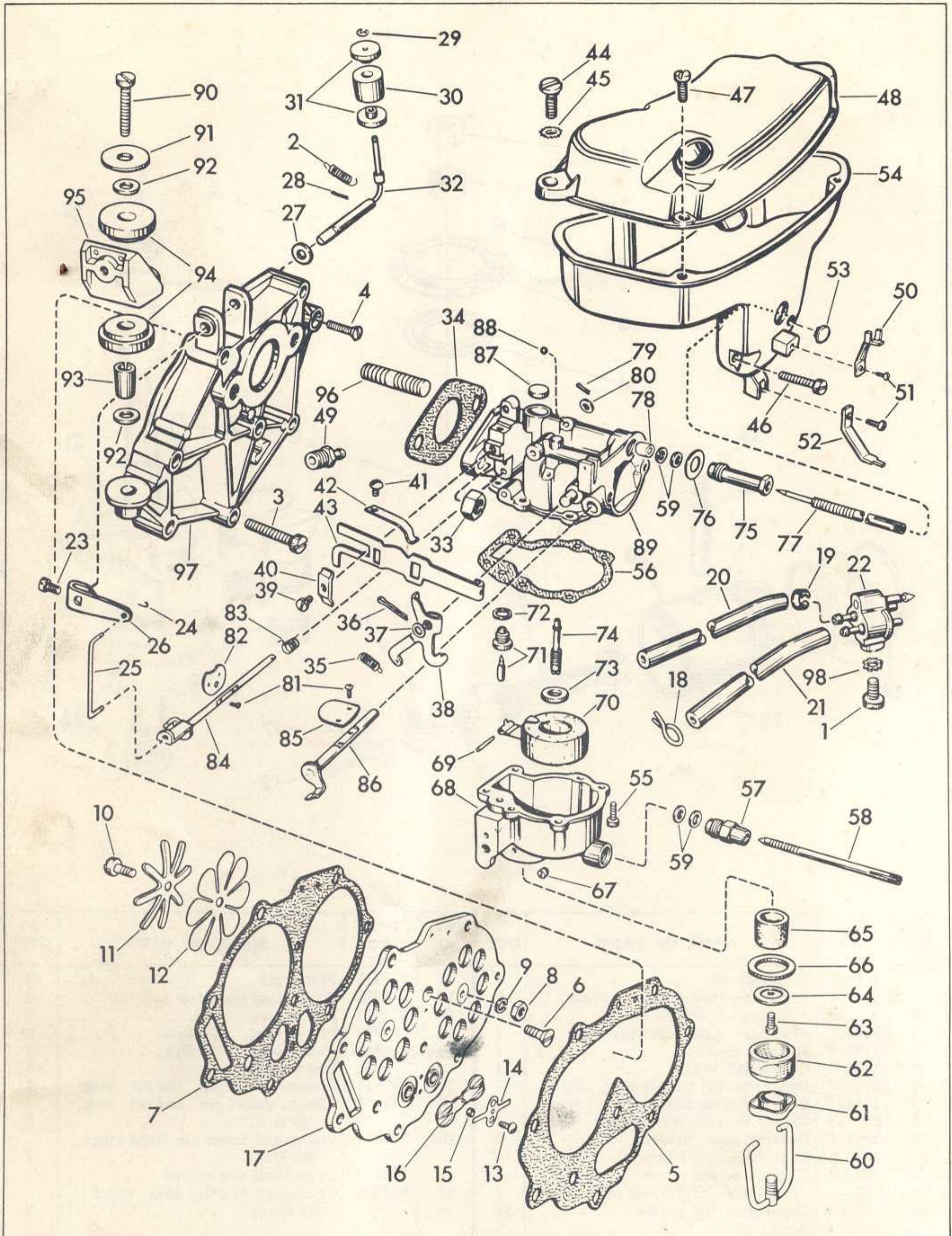
# FASTWIN CRANKSHAFT AND PISTON



REF. NO.	PART NO.	NAME OF PART	QTY.	REF. NO.	PART NO.	NAME OF PART	QTY.
1	301988	Flywheel nut . . . . .	1	16	203238	Piston pin . . . . .	2
2	304442	Armature plate support screw . .	3	17	277205	Connecting rod assy . . . . .	2
3	303278	Armature plate support . . . . .	1	18	301787	Piston ring. . . . .	6
4	303277	Armature plate retaining ring . .	1	18	302399	Piston ring, .020 O.S. . . . .	6
5	510168	Magneto cam. . . . .	1	18	304703	Piston ring, .040 O.S. . . . .	6
6	120395	Crankshaft key. . . . .	1	19	300288	Piston dowel pin. . . . .	6
7	302537	Upper bearing seal (O-ring, outer).	1	20	277413	Piston, dowel pin, and ret. ring .	2
8	277427	Roller bearing and seal assy, upper	1	20	277405	Piston, dowel pin, and ret. ring,	
9	302585	Center bearing split sleeve . . . .	1			.020 O.S. . . . .	2
10	302755	Bearing cage, center . . . . .	2	20	376831	Piston and dowel pin, less rings,	
11	302584	Center bearing roller . . . . .	18			.040 O.S. . . . .	2
12	202967	Connecting rod screw . . . . .	4	21	277594	Crankshaft and sleeve. . . . .	1
13	203244	Connecting rod bearing retainer . .	2	22	303804	Crankshaft bearing seal, upper	
14	302529	Connecting rod needle . . . . .	30			and lower . . . . .	2
15	302577	Spring ring . . . . .	4				

ORDER YOUR PARTS FROM YOUR DISTRICT SERVICE STATION

# FASTWIN CARBURETOR



ORDER YOUR PARTS FROM YOUR DISTRICT SERVICE STATION

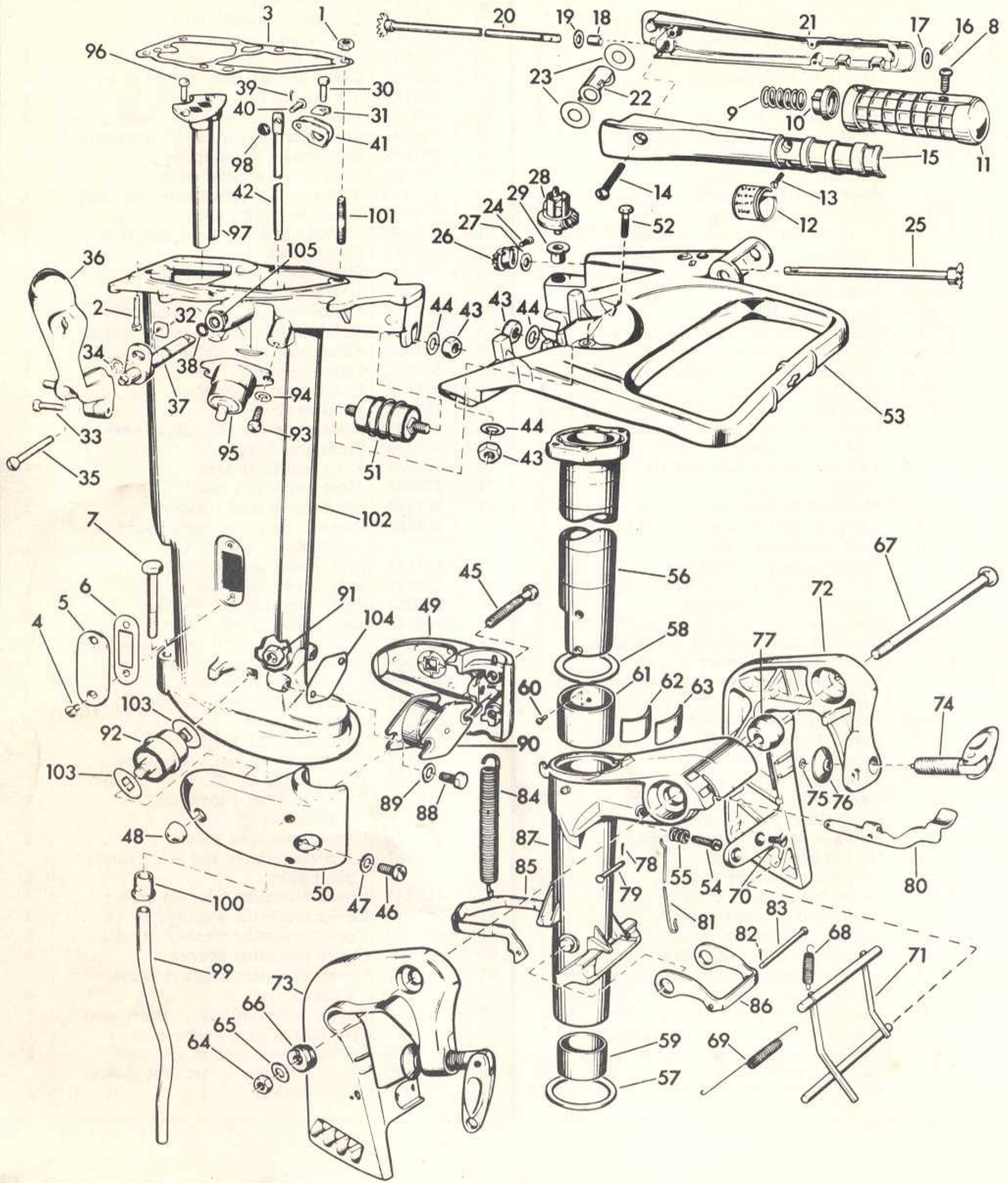
## FASTWIN CARBURETOR

REF. NO.	PART NO.	NAME OF PART	QTY.	REF. NO.	PART NO.	NAME OF PART	QTY.
*	376496	Carburetor assy . . . . .	1	49	303172	Manifold nipple . . . . .	1
1	21X359	Fuel connector to bracket screw .	1	50	203474	Low speed needle stop . . . . .	1
2	203276	Cam follower spring . . . . .	1	51	303940	Needle stop screw . . . . .	2
3	130618	Manifold to crankcase screw . . .	7	52	203621	High speed needle stop . . . . .	1
4	304294	Manifold to crankcase screw, short . . . . .	1	53	203652	Carb. air silencer button plug . .	1
*	277206	Leaf plate assy . . . . .	1	54	203728	Air silencer, lower half. . . . .	1
5	203270	Leaf plate to manifold gasket . .	1	55	71X1589	Float chamber to carb. body screw	5
6	302104	Leaf plate assy to crankcase screw . . . . .	1	56	302994	Float chamber to carb. body gasket	1
7	203269	Leaf plate to crankcase gasket . .	1	57	300179	High speed valve nut. . . . .	1
8	85X64	Leaf to leaf plate screw nut . . .	2	58	304082	High speed needle valve . . . . .	1
9	71X1487	Leaf to leaf plate screw lock washer . . . . .	2	59	43A123	High and low speed valve packing	4
10	301858	Leaf attaching screw . . . . .	2	60	375992	Yoke and screw assy . . . . .	1
11	203234	Leaf stop . . . . .	2	61	375989	Thumb nut and swivel cup assy . .	1
12	203246	Carburetor leaf . . . . .	2	62	303121	Filter bowl . . . . .	1
13	19X191	Check valve to leaf plate screw . .	2	63	132509	Filter element screw, to motors 06766 . . . . .	1
14	302048	Check valve spring . . . . .	1	64	303134	Filter retainer, to motors 06766 .	1
15	302046	Check valve spring spacer . . . . .	2	*	304518	Filter stud, motors 06767 and up .	1
16	302042	Air line check valve . . . . .	1	*	304539	Filter nut, motors 06767 and up .	1
17	203267	Leaf plate only . . . . .	1	65	303133	Filter element . . . . .	1
18	302647	Carburetor and manifold fuel and air hose clamp . . . . .	2	66	303122	Filter bowl gasket . . . . .	1
19	301822	Fuel connector-fuel and air hose clamp . . . . .	2	67	303041	Float drain screw . . . . .	1
20	203287	Manifold to fuel connector air line	1	68	376681	Float chamber and nipple assy . .	1
21	203286	Carb. to fuel connector fuel line .	1	69	300096	Float arm hinge pin . . . . .	1
22	375788	Fuel connector body . . . . .	1	70	375919	Float and float arm . . . . .	1
23	304572	Cam follower arm screw . . . . .	1	71	375985	Float valve and seat . . . . .	1
24	41A110	Link to throttle lever and cam follower retaining pin . . . . .	2	72	301996	Float valve seat washer . . . . .	1
25	203727	Throttle lever to cam follower link	1	73	302984	Float chamber to carb. body boss gasket . . . . .	1
26	376729	Cam follower arm and screw assy	1	74	303175	High speed nozzle . . . . .	1
27	303048	Cam follower washer . . . . .	1	75	303479	Slow speed valve nut . . . . .	1
28	41X163	Cam follower to manifold cotter pin . . . . .	1	76	203355	Carb. packing nut washer . . . . .	1
29	203363	Cam follower retainer . . . . .	1	77	303945	Slow speed needle valve . . . . .	1
30	203362	Cam follower roller . . . . .	1	78	303947	Slow speed needle valve bushing .	1
31	303279	Cam follower bushing . . . . .	2	79	303049	Throttle shaft cotter pin . . . . .	1
32	203732	Throttle cam follower . . . . .	1	80	303048	Throttle shaft washer . . . . .	1
33	7X46	Carburetor nut . . . . .	2	81	303760	Throttle and choke valve screw . .	4
34	203237	Manifold to carburetor gasket . .	1	82	303174	Throttle valve . . . . .	1
35	303316	Bell crank choke lever spring . .	1	83	303119	Throttle shaft spring . . . . .	1
36	41X163	Bell crank cotter pin . . . . .	1	84	376497	Throttle shaft and lever assy . . .	1
37	85X54	Bell crank washer . . . . .	1	85	303126	Choke valve . . . . .	1
38	303144	Choke bell crank . . . . .	1	86	375993	Choke shaft and lever assy . . . .	1
39	131249	Choke rod bracket screw . . . . .	1	87	202310	Expansion plug . . . . .	1
40	303117	Choke rod bracket . . . . .	1	88	304201	Carburetor lead shot . . . . .	2
41	302430	Spring to carb. body screw . . . .	1	89	376500	Carburetor body and bell crank- shaft assy . . . . .	1
42	303132	Choke control rod spring . . . . .	1	90	41X178	Cover mounting bracket screw . .	4
43	303143	Choke control rod . . . . .	1	91	302407	Cover mounting washer, large . .	4
44	21X167	Silencer to bracket screw . . . . .	2	92	43X302	Cover mounting washer, small . .	6
45	13X585	Silencer to bracket screw washer .	2	93	302406	Cover mounting spacer . . . . .	4
46	13X558	Silencer to carburetor screw . . .	2	94	302405	Cover mounting bracket grommet - Starboard . . . . .	4
47	25X74	Silencer assy screw . . . . .	4	95	302404	Cover mounting brkt. - Starboard .	2
48	277437	Air silencer, upper half . . . . .	1	96	302822	Manifold to carburetor stud . . . .	2
				97	277563	Carburetor manifold and stud . . .	1
				98	51X137	Fuel connector to bracket screw lock washer . . . . .	1

\*Not Shown

ORDER YOUR PARTS FROM YOUR DISTRICT SERVICE STATION

# FASTWIN EXHAUST TUBE AND SWIVEL BRACKET



ORDER YOUR PARTS FROM YOUR DISTRICT SERVICE STATION



## FASTWIN EXHAUST TUBE AND SWIVEL BRACKET

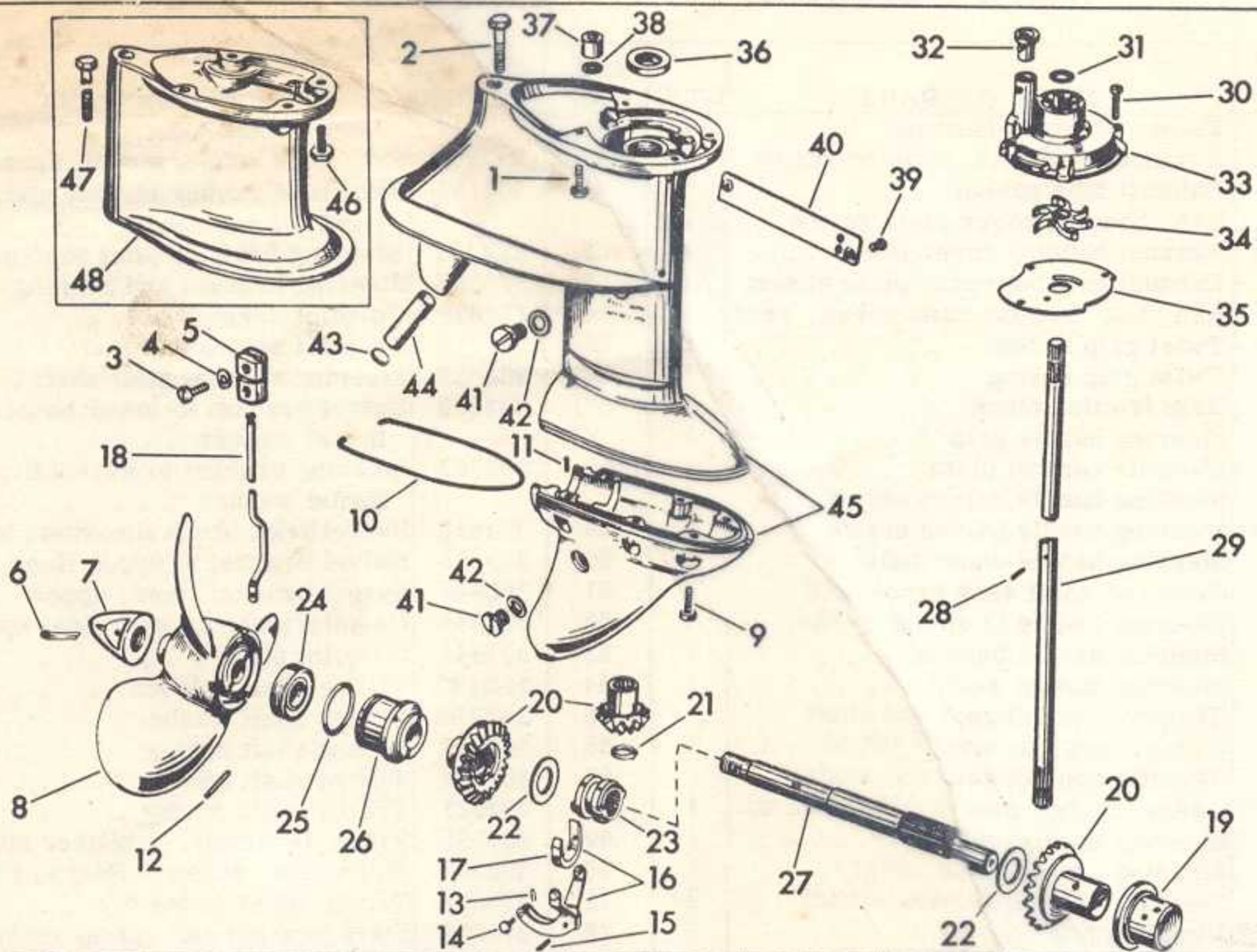
REF. NO.	PART NO.	NAME OF PART	QTY.	REF. NO.	PART NO.	NAME OF PART	QTY.
1	7X46	Flange to power head nut . . . . .	3	50	303897	Lower mount housing - Starboard	1
2	25X238	Power head to exh. housing screw	5	51	303878	Exh. tube rubber mount, upper front	1
3	303892	Exhaust tube gasket . . . . .	1	51	304153	Exh. tube rubber mount, upper	
4	302509	Exh. housing cover plate screw .	2			front - 5 in. longer . . . . .	1
5	303862	Exhaust housing cover plate . . .	1	52	21X171	Steering brkt. to pilot shaft screw	4
6	304023	Exhaust housing cover plate gasket	1	53	376583	Steering bracket and bushing . . .	1
7	302871	Exh. hsg. to gear case screw, rear	1	54	132679	Co-pilot screw . . . . .	1
8	302710	Twist grip screw . . . . .	1	55	551113	Co-pilot spring . . . . .	1
9	301656	Twist grip spring . . . . .	1	56	303853	Steering bracket pilot shaft . . . .	1
10	303282	Grip friction block . . . . .	1	57	303865	Swivel bracket to lower housing	
11	203882	Steering handle grip . . . . .	1			thrust washer . . . . .	1
12	303110	Throttle control plate . . . . .	1	58	303842	Steering bracket to swivel bracket	
13	133452	Steering handle halves screw . . .	2			thrust washer . . . . .	1
14	303078	Steering handle halves screw . . .	1	59	303841	Swivel brkt. shock absorber, lower	1
15	303093	Steering handle-inner half . . . .	1	60	303696	Swivel bracket to upper liner pin .	1
16	300346	Gear and shaft assy groove pin . .	1	61	303846	Swivel bracket liner, upper . . . .	1
17	303252	Steering handle to spring washer .	1	62	303843	Co-pilot plate to upper liner spacer	1
18	302717	Steering handle bushing . . . . .	1	63	303844	Co-pilot plate . . . . .	1
19	302712	Steering handle washer . . . . .	1	64	17X182	Tilting shaft bolt nut . . . . .	1
20	376416	Throttle control gear and shaft		65	25X196	Tilting shaft washer . . . . .	1
		assy, long, to motors 09000 . .	1	66	302051	Tilting shaft spring . . . . .	1
20	376691	Throttle control gear and shaft		67	301984	Tilting shaft bolt . . . . .	1
		assy., long, motors 09001 and up	1	68	202021	Tilting lever spring . . . . .	1
21	303094	Steering handle-outer half . . . .	1	69	304095	Tilting lever adj. stabilizer spring	1
22	303096	Steering handle gears cover . . . .	1	70	303396	Stern brkt. screw - Port to Stbd..	2
23	303079	Steering brkt. to handle washer .	2	71	376312	Tilting lever assembly . . . . .	1
24	71X1352	Pinion screw . . . . .	1	72	376284	Stern bracket and clamp screw	
25	376306	Throttle control gear and shaft				assembly - Port . . . . .	1
		assy., short, to motors 09000 . .	1	73	376283	Stern bracket and clamp screw	
25	376692	Throttle control gear and shaft				assembly - Starboard . . . . .	1
		assy., short, motors 09001 & up	1	74	375742	Clamp screw swivel plate and ret.	2
26	303142	Throttle control pinion . . . . .	1	75	302420	Swivel plate retainer . . . . .	2
27	303107	Throttle control pinion gear washer	1	76	41A48	Clamp screw swivel plate . . . . .	2
28	304157	Throttle control gear . . . . .	1	77	301983	Tilting shaft conical washer . . . .	2
29	303854	Throttle control bushing . . . . .	1	78	303049	Pivot shaft cotter pin . . . . .	1
30	303722	Shift rod screw . . . . .	1	79	303930	Reverse locking lever pivot shaft .	1
31	303721	Shift rod lever clip . . . . .	1	80	303980	Manual locking lever arm . . . . .	1
32	303189	Shift handle adj. screw nut . . . .	1	81	303978	Reverse lock arm to shaft link . .	1
33	300258	Shift handle adj. screw . . . . .	1	82	15X268	Reverse lock rod cotter pin . . . .	1
34	303480	Shift handle screw lock washer . .	1	83	303949	Reverse lock rod . . . . .	1
†35	39X72	Shift hdl. to adj. lever clamp screw	1	84	303979	Reverse lock locking lever spring	1
†36	376308	Gear shift handle and pin . . . . .	1	85	303948	Reverse locking lever . . . . .	1
†37	376307	Adj. lever and shift shaft assy. . .	1	86	303950	Reverse lock link . . . . .	1
*	39X176	Shift hdl. to adj. lever clamp screw	1	87	303840	Swivel bracket . . . . .	1
*	277626	Gear shift handle and pin . . . . .	1	88	303888	Lower housing front mount to	
*	591612	Adj. lever and shaft assembly . . .	1			exhaust tube screw . . . . .	2
*	552497	Shift handle straight pin . . . . .	1	89	303886	Shock absorber screw washer, med.	2
*	552498	Shift handle spring . . . . .	1	90	303881	Exh. tube rubber mount, lower front	1
*	552783	Shift handle pivot pin washer . . .	1	91	303890	Lower side mount screw nut . . . .	2
*	552644	Adjusting lever shaft spacer . . . .	1	92	303880	Exh. tube rubber mount, lower side	2
*	591613	Shift lock and pin assy. follower, to		93	39X176	Thrust absorber mtg. screw, upper	4
		motors 15016- . . . . .	1	94	303887	Shock abs. screw washer, small .	4
*	277627	Shift lock and pin assy. follower,		95	303879	Exhaust tube rubber mount, upper	
		motors 15016- and up . . . . .	1			side . . . . .	2
38	303191	Shift lever shaft "O" ring . . . . .	1	96	25X74	Loading tube to exh. tube screw .	2
39	15X268	Shift lever shaft cotter pin . . . .	1	97	376289	Exhaust loading tube assembly . .	1
40	304377	Shift rod to lever pin . . . . .	1	98	304380	Shift rod pin bow washer . . . . .	1
41	304378	Shift rod lever . . . . .	1	99	303917	Water tube . . . . .	1
42	303861	Shift rod, upper . . . . .	1	99	304037	Water tube, 5 in. longer . . . . .	1
43	303889	Thrust absorber to strg. brkt. nut	4	100	302497	Water tube grommet, upper . . . .	1
44	303884	Shock absorber washer, large . . .	4	101	304517	Flange to power head stud . . . . .	3
45	303898	Lower housing to pilot shaft screw	2	102	376406	Exhaust housing assembly . . . . .	1
46	303883	Rubber mount to housing screw . . .	2	103	304168	Lower side mount gasket . . . . .	4
47	303886	Shock absorber screw washer, med.	2	104	304169	Lower front mount gasket . . . . .	1
48	303890	Thrust absorber to lower mount nut	2	105	303775	Adj. lever to exhaust housing	
49	303896	Lower mount housing - Port . . . . .	1			washer . . . . .	1

† These parts apply to motors 15016-06425 and 15017-05530

\* These parts (not shown) apply from motors 15016-06426 and up, and motors 15017-05531 and up.

ORDER YOUR PARTS FROM YOUR DISTRICT SERVICE STATION

# FASTWIN GEAR CASE



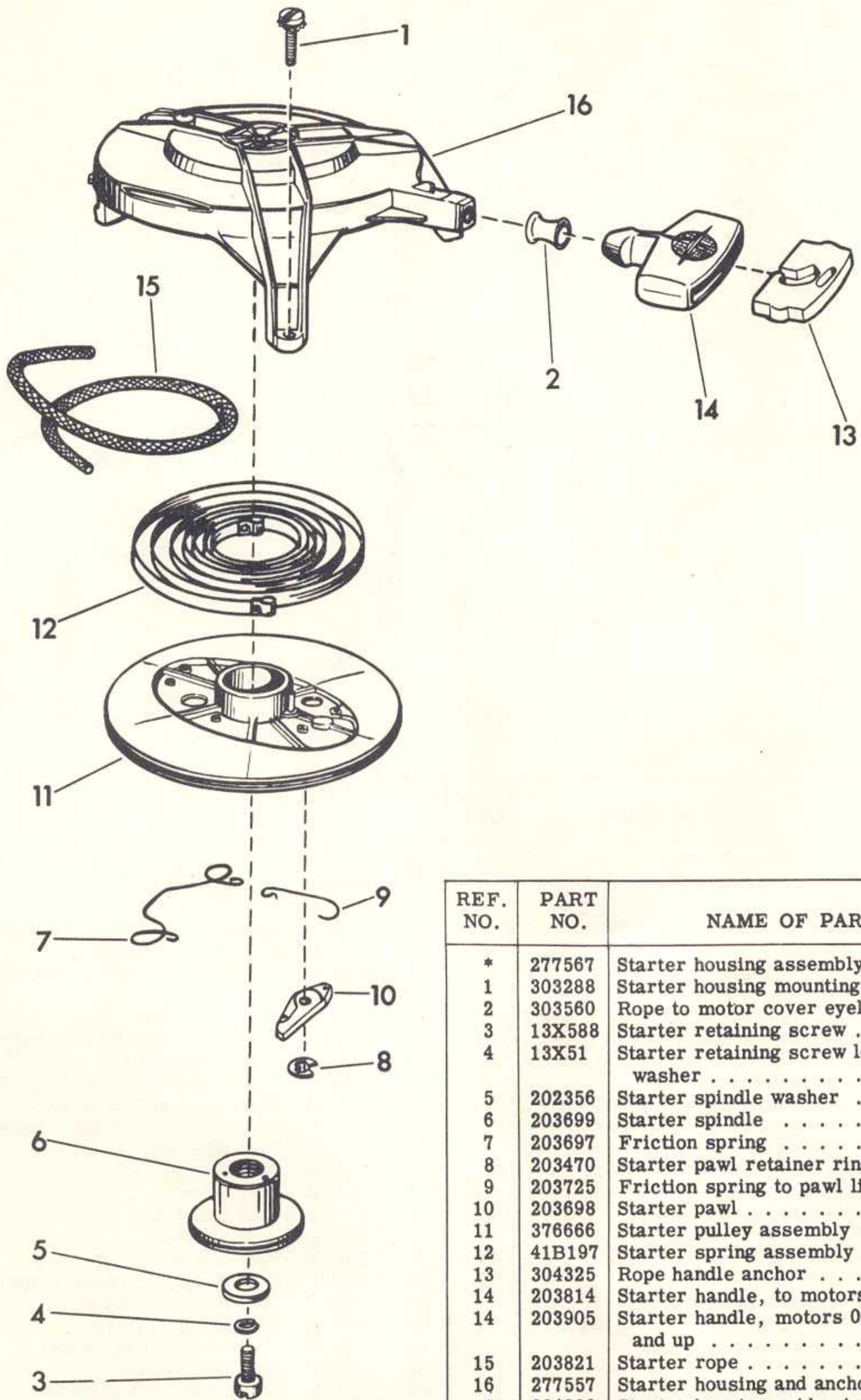
187HP FASTWIN

REF. NO.	PART NO.	NAME OF PART	QTY.	REF. NO.	PART NO.	NAME OF PART	QTY.
*	376484	Gear case assembly complete, to motors 18000 . . . . .	1	21	301883	Pinion retaining ring . . . . .	1
*	376883	Gear case assembly complete, motors 18001 and up . . . . .	1	22	301884	Propeller shaft thrust washer . . . . .	2
1	302510	Upper gear hsg. to exh. hsg. screw	4	23	375711	Clutch dog shifter assembly . . . . .	1
2	302871	Exh. hsg. to gear case screw, rear	1	24	302495	Propeller shaft seal . . . . .	1
*	376407	Shift rod connector and screw assy.	1	25	302493	Gear case head "O" ring . . . . .	1
3	304024	Shift rod connector screw . . . . .	2	26	375751	Gear housing head and bearing assembly . . . . .	1
4	301551	Shift rod connector screw lock washer . . . . .	2	27	304265	Propeller shaft . . . . .	1
5	303794	Upper and lower shift rod connector	1	28	300771	Pump impeller pin . . . . .	1
6	302381	Propeller nut cotter pin, Model 15016 to motor 02500 . . . . .	1	29	303860	Drive shaft . . . . .	1
6	19X84	Propeller nut cotter pin, Model 15016, motors 02501 and up, and Model 15017 . . . . .	1	29	304036	Drive shaft, 5 in. longer . . . . .	1
7	132477	Propeller nut, Model 15016 to motor 02500 . . . . .	1	30	302508	Impeller housing to upper gear housing screw . . . . .	3
7	376501	Propeller nut, Model 15016, motors 02501 and up, and Model 15017 . . . . .	1	31	303067	Drive shaft to crankshaft "O" ring	1
8	277583	Propeller and bushing . . . . .	1	32	302497	Water tube grommet, lower . . . . .	1
9	304070	Gear housing screw . . . . .	6	33	303070	Impeller housing . . . . .	1
10	302513	Upper to lower gear case seal . . . . .	1	34	375638	Water pump impeller . . . . .	1
11	300611	Front and rear bearing dowel . . . . .	2	35	303069	Impeller housing plate . . . . .	1
12	203663	Propeller drive pin . . . . .	1	36	41A62	Drive shaft seal . . . . .	1
13	15X268	Yoke to pin cotter pin . . . . .	1	37	301878	Shift rod bushing, lower . . . . .	1
14	302504	Yoke to shift rod pin . . . . .	1	38	301877	Lower shift rod seal "O" ring . . . . .	1
15	302501	Shifter lever pivot pin . . . . .	1	39	302509	Water bypass cover screw . . . . .	2
16	376164	Shifter lever and cradle assembly	1	40	302505	Water bypass cover . . . . .	1
17	302500	Cradle . . . . .	1	41	27A283	Oil plug . . . . .	2
18	303098	Shift rod, lower . . . . .	1	42	27X284	Oil plug washer . . . . .	2
18	303257	Shift rod, lower, 5 in. longer . . . . .	1	43	300314	Water intake screen plug . . . . .	1
19	302496	Front bearing . . . . .	1	44	302757	Water intake screen . . . . .	1
20	375844	Set of gears, Model 15016, to motor 02500 . . . . .	1	45	376482	Gear housing, upper and lower, to motors 18000 . . . . .	1
20	376485	Set of gears, Model 15016, motors 02501 and up, and Model 15017 . . . . .	1	45	376771	Gear housing, upper and lower, motors 18001 and up . . . . .	1
				46	302510	Gear housing to gear case extension screw, 5 in. longer . . . . .	4
				47	304135	Exhaust housing to gear case extension screw, rear, 5 in. longer . . . . .	1
				48	304136	Gear case extension, 5 in. longer . . . . .	1

\*Not Shown

ORDER YOUR PARTS FROM YOUR DISTRICT SERVICE STATION

# FASTWIN STARTER

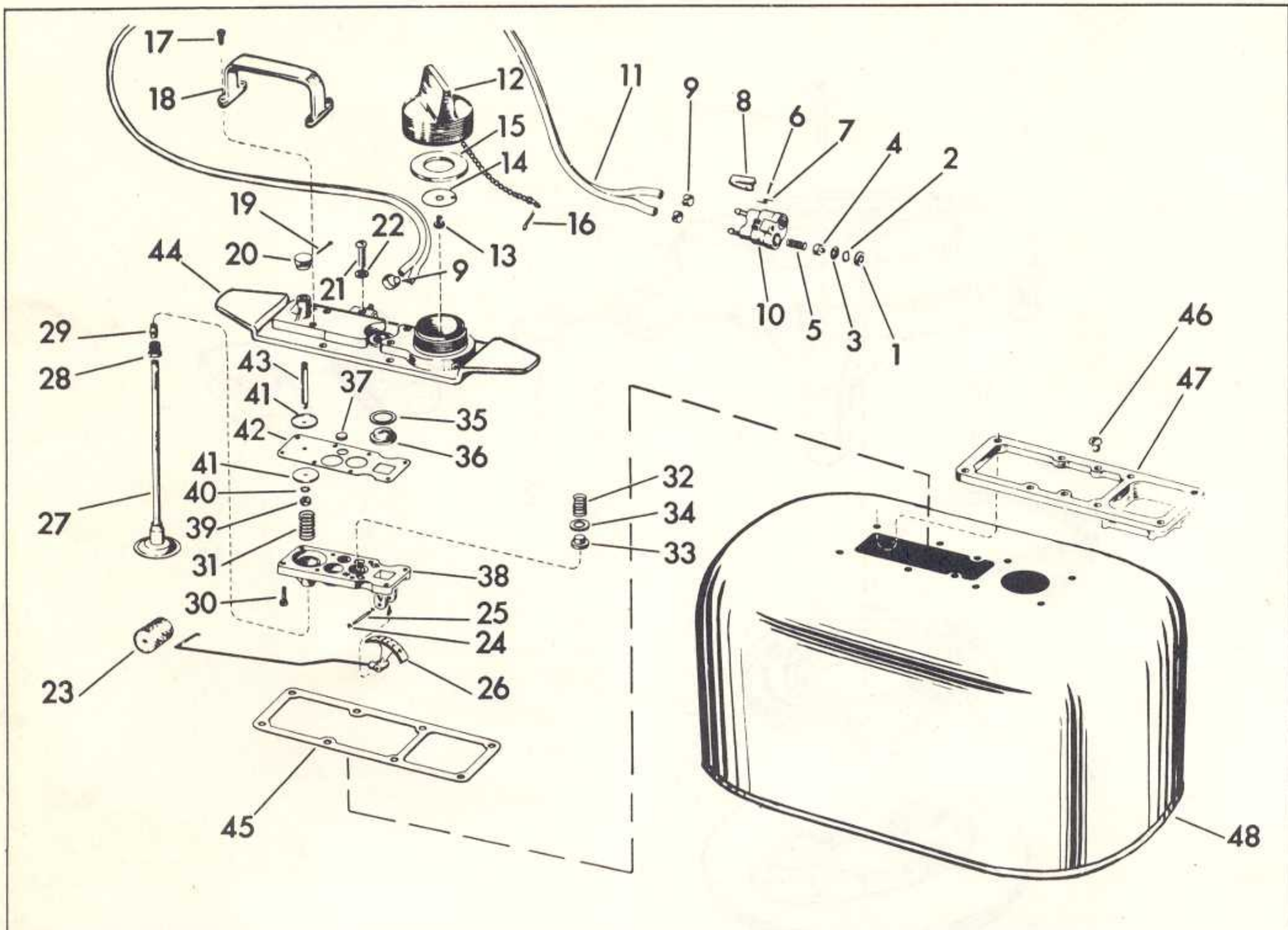


REF. NO.	PART NO.	NAME OF PART	QTY.
*	277567	Starter housing assembly . . . . .	1
1	303288	Starter housing mounting screw . . . . .	3
2	303560	Rope to motor cover eyelet . . . . .	1
3	13X588	Starter retaining screw . . . . .	1
4	13X51	Starter retaining screw lock washer . . . . .	1
5	202356	Starter spindle washer . . . . .	1
6	203699	Starter spindle . . . . .	1
7	203697	Friction spring . . . . .	1
8	203470	Starter pawl retainer ring . . . . .	1
9	203725	Friction spring to pawl link . . . . .	2
10	203698	Starter pawl . . . . .	1
11	376666	Starter pulley assembly . . . . .	1
12	41B197	Starter spring assembly . . . . .	1
13	304325	Rope handle anchor . . . . .	1
14	203814	Starter handle, to motors 09000 . . . . .	1
14	203905	Starter handle, motors 09001 and up . . . . .	1
15	203821	Starter rope . . . . .	1
16	277557	Starter housing and anchor . . . . .	1
*	304500	Starter housing guide pin, motors 09001 and up . . . . .	2

\*Not Shown

ORDER YOUR PARTS FROM YOUR DISTRICT SERVICE STATION

# CRUIS-A-DAY FUEL TANK



REF. NO.	PART NO.	NAME OF PART	QTY.	REF. NO.	PART NO.	NAME OF PART	QTY.
*	277237	Fuel tank assembly . . . . .	1	22	301814	Support plate to housing screw gasket	8
1	301828	Fuel connector seal ring retainer.	2	23	302559	Fuel tank float . . . . .	1
2	301824	Fuel connector seal "O" ring . . .	2	24	302654	Indicator pin snap ring . . . . .	2
3	301827	Fuel connector valve guide washer . . . . .	2	25	302653	Indicator to lower housing pin . .	1
4	301826	Fuel connector valve . . . . .	2	26	375778	Indicator assembly . . . . .	1
5	301825	Fuel connector valve spring . . . .	2	27	375846	Fuel tank foot valve assembly. . .	1
6	301832	Fuel connector lock rivet . . . . .	1	28	132691	Fuel line nut . . . . .	1
7	301829	Fuel connector lock spring . . . . .	1	29	13X304	Fuel line gland . . . . .	1
8	301830	Fuel connector lock . . . . .	1	30	13X558	Lower to upper housing screw . .	8
9	301822	Hose clamp . . . . .	4	31	301803	Fuel pump spring . . . . .	1
10	375587	Fuel connector housing assembly . .	1	32	302135	Pressure release valve spring . .	1
11	301821	Fuel tank to connector hose standard length . . . . .	1	33	302136	Pressure release valve . . . . .	1
11	302379	Fuel tank to connector hose, (specify length) . . . . .	1	34	302137	Pressure release valve washer . .	1
12	375817	Filler cap assembly . . . . .	1	35	302571	Fuel tank seal . . . . .	1
13	301837	Filler cap screw . . . . .	1	36	302568	Fuel tank glass . . . . .	1
14	302560	Filler cap plate . . . . .	1	37	301802	Disc valve . . . . .	1
15	301835	Filler cap gasket . . . . .	1	38	302555	Fuel tank lower housing . . . . .	1
16	15X213	Filler cap chain cotter pin . . . .	1	39	21X195	Push rod nut . . . . .	1
17	13X558	Handle to housing screw, upper. . .	4	40	301736	Push rod lock washer . . . . .	1
18	302570	Fuel tank handle . . . . .	1	41	301800	Fuel pump diaphragm support . .	2
19	17X186	Push button cotter pin . . . . .	1	42	302563	Fuel pump diaphragm . . . . .	1
20	301815	Fuel pump push button . . . . .	1	43	302561	Fuel pump push rod . . . . .	1
21	304137	Support plate to housing screw, long . . . . .	8	44	376276	Fuel tank housing, upper . . . . .	1
				45	302557	Fuel tank gasket . . . . .	1
				46	53X85	Support plate to plate screw . . .	2
				47	302556	Fuel tank support plate . . . . .	1
				48	277238	Fuel tank only . . . . .	1

ORDER YOUR PARTS FROM YOUR DISTRICT SERVICE STATION.

\* Not shown

**EVINRUDE MOTORS • MILWAUKEE 16, WISCONSIN**  
 IN CANADA: EVINRUDE MOTORS, PETERBOROUGH, ONTARIO